

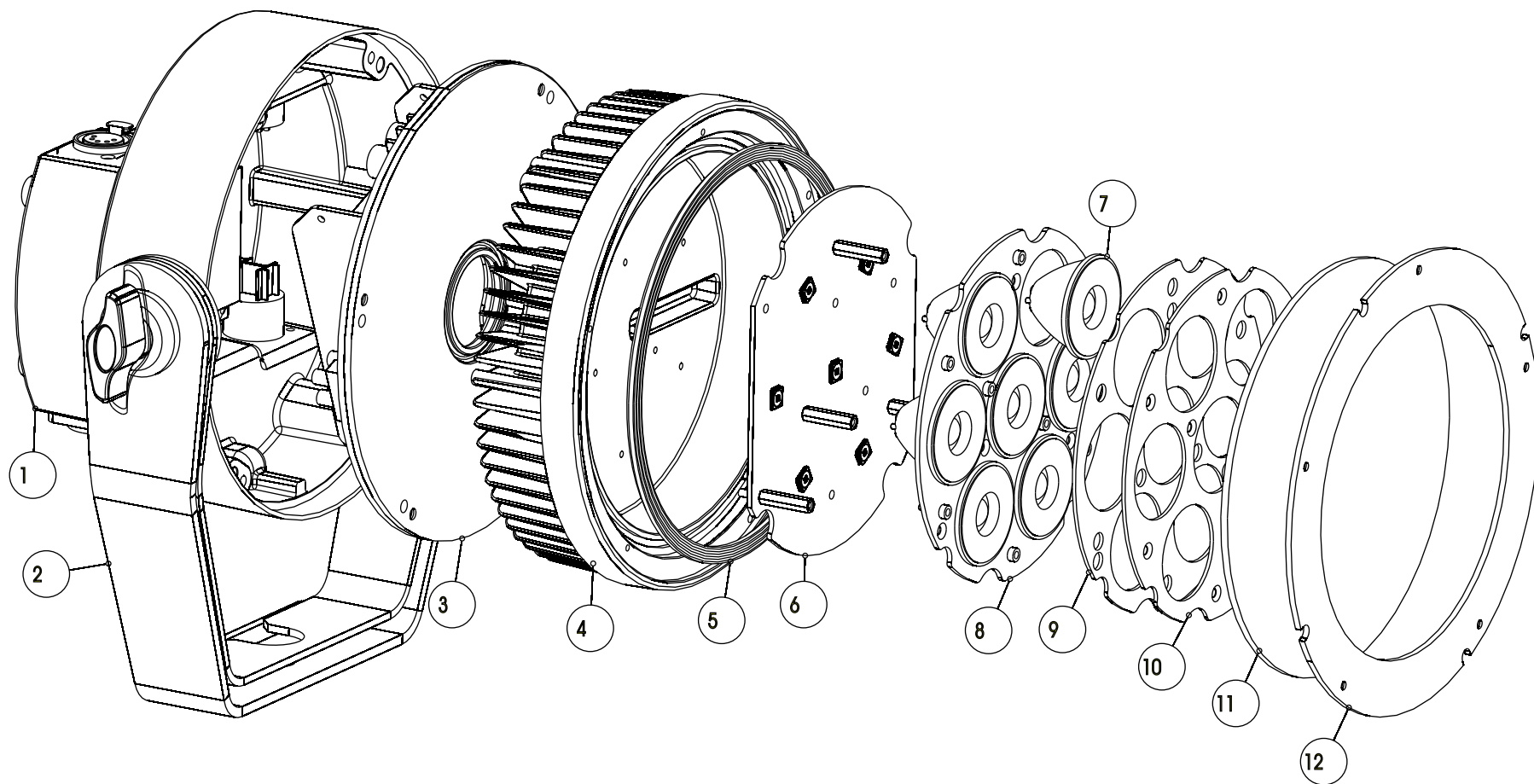
Service manual

LEVEL Q7

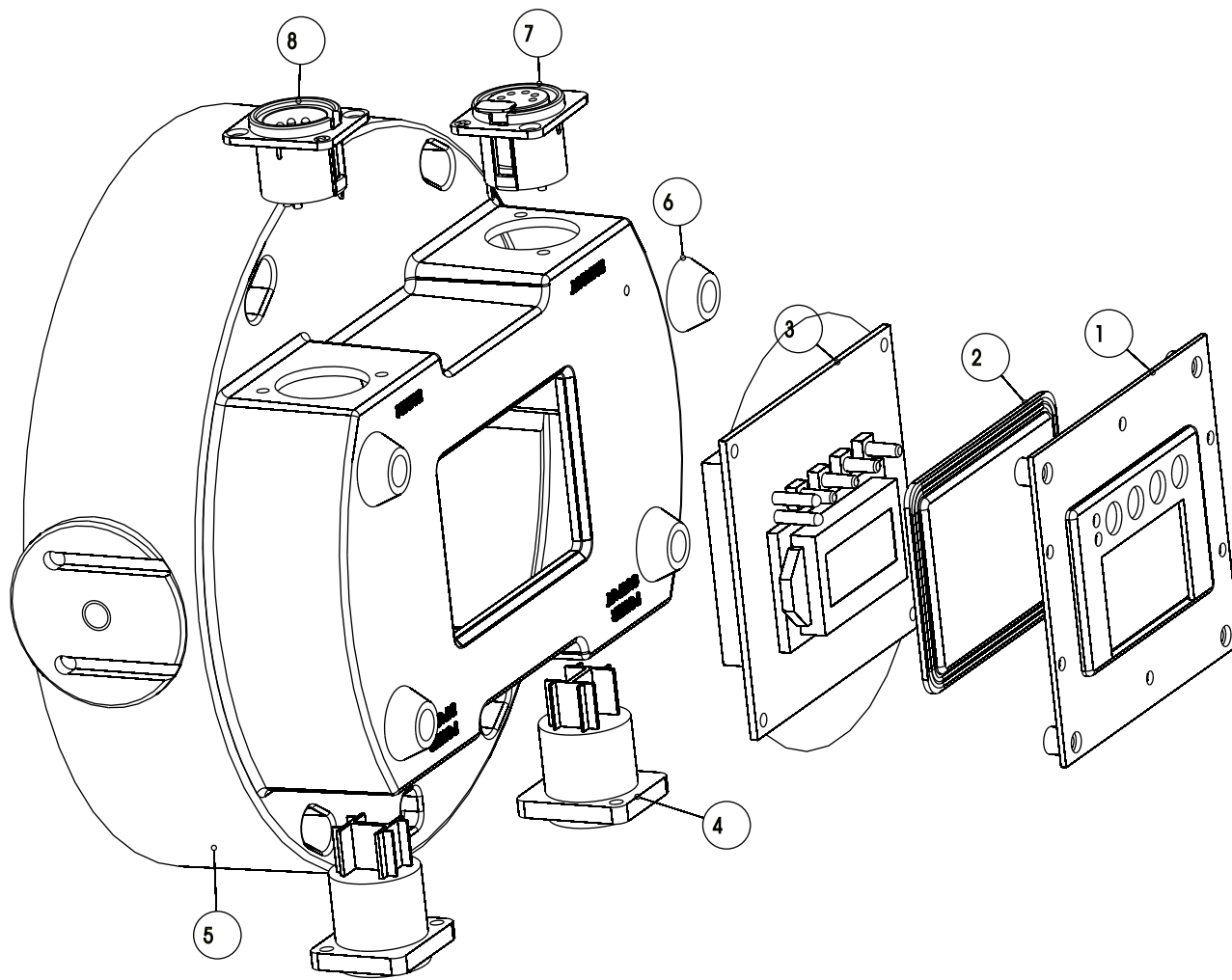
- ※ **Exploded Diagrams**
- ※ **Circuit Diagrams**
- ※ **Wiring Diagrams**
- ※ **Parts List**



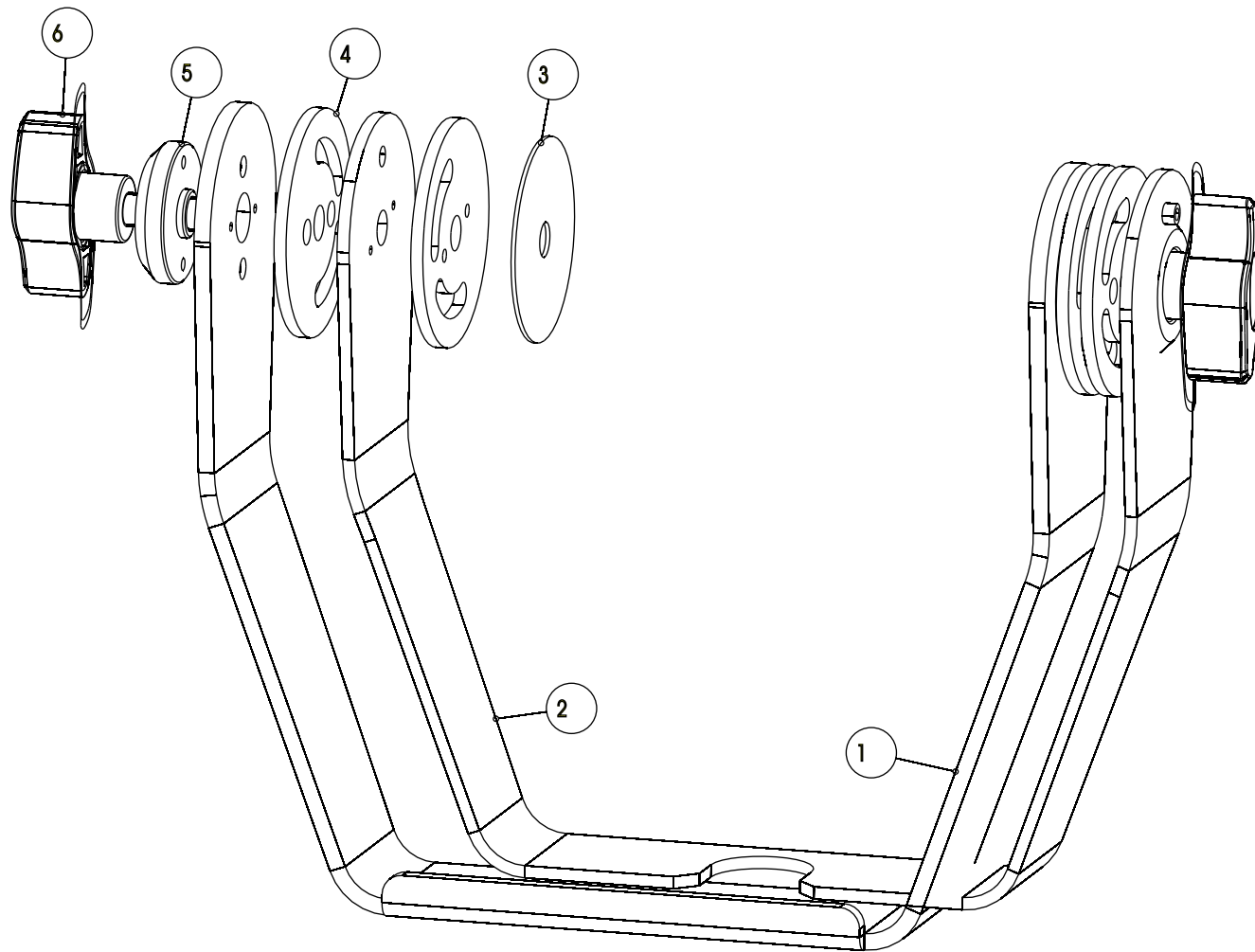
PRODUCT		LEVEL Q7		
PIC. NO.		Front Page	Series No.	1038801-1038950
EDIT		FILE NO.	HY-EXP-1096A	
CHECK		ORDER NO.	S020122588	
APPROVE		VERSION	NR	SOFTWARE VER. V1.0



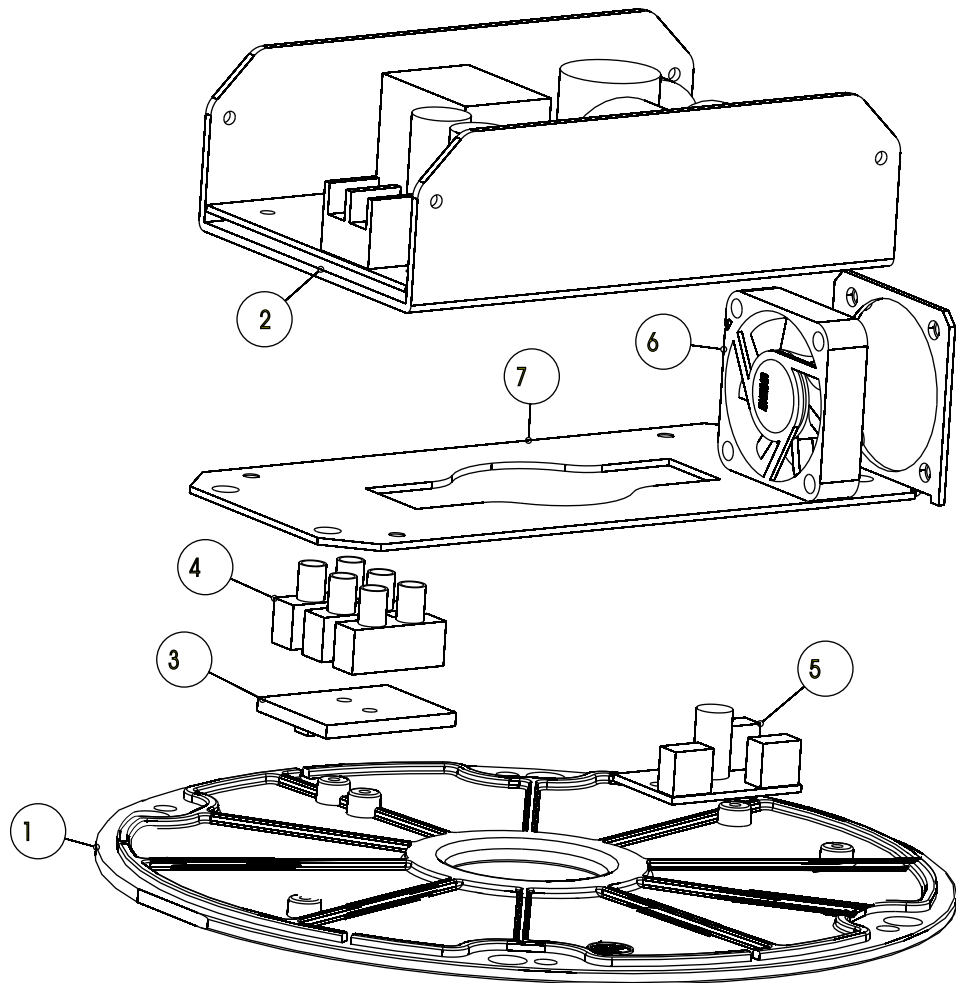
PRODUCT		LEVEL Q7			
PIC. NO.		11-0082-00-00-00			
EDIT		FILE NO.	HY-EXP-1096A	PAGE NO.	1/8
CHECK		VERSION	NR	DATE	2012.12.07
APPROVE		ECN NO.		DATE	



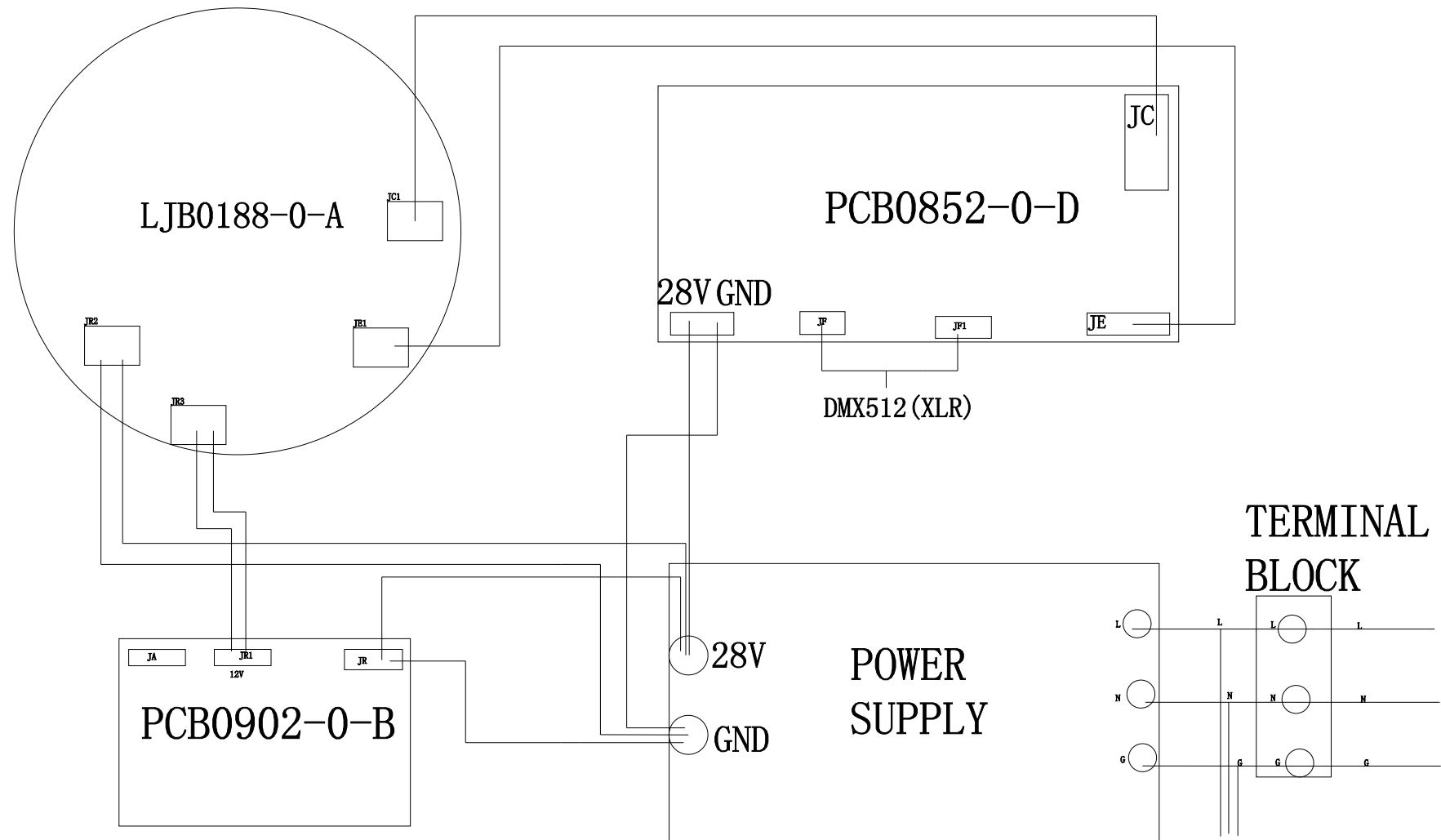
PRODUCT		LEVEL Q7			
PIC. NO.		11-0082-01-00-00			
EDIT		FILE NO.	HY-EXP-1096A	PAGE NO.	2/8
CHECK		VERSION	NR	DATE	2012.12.07
APPROVE		ECN NO.		DATE	



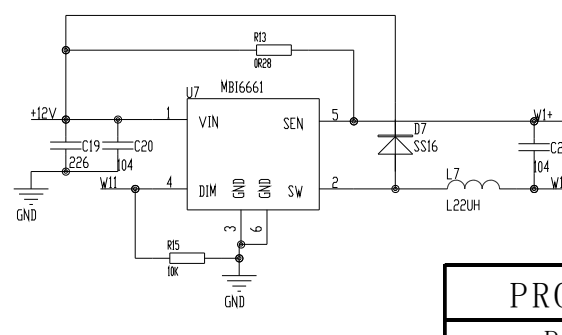
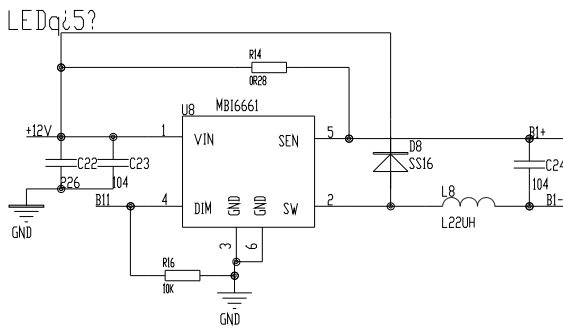
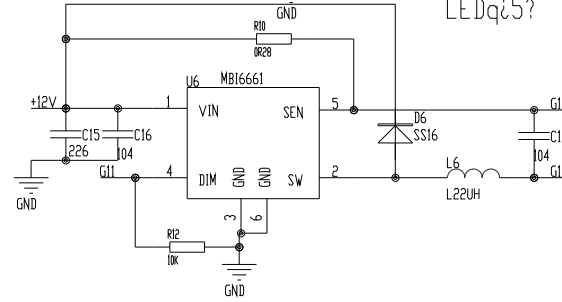
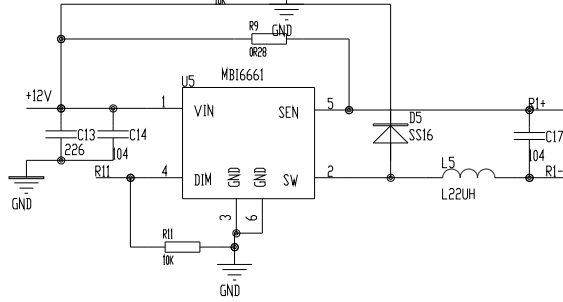
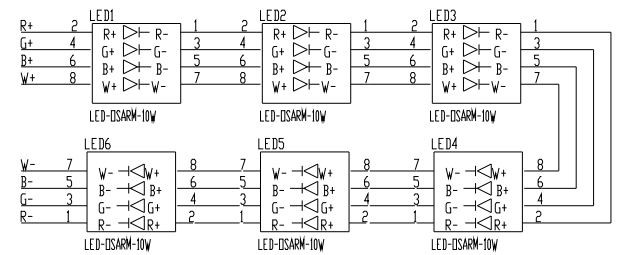
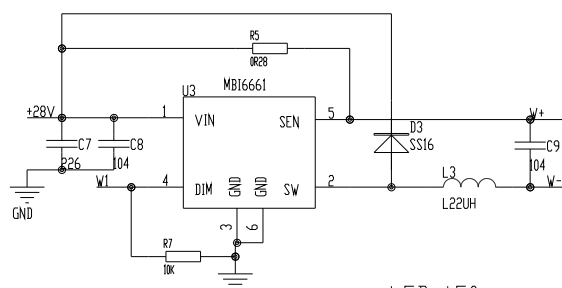
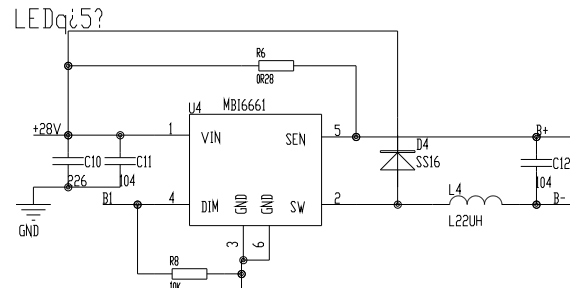
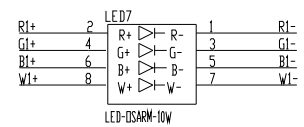
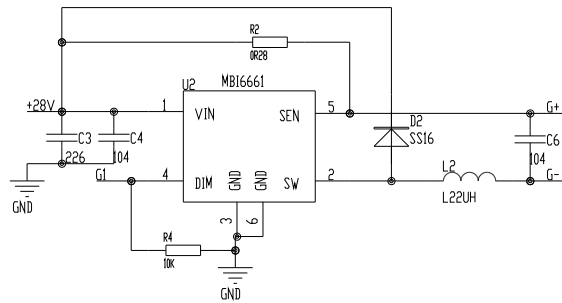
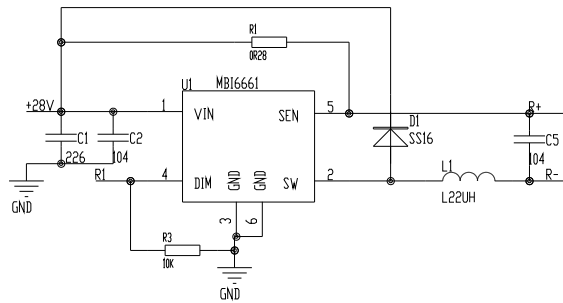
PRODUCT		LEVEL Q7			
PIC. NO.		11-0082-02-00-00			
EDIT		FILE NO.	HY-EXP-1096A	PAGE NO.	3/8
CHECK		VERSION	NR	DATE	2012.12.07
APPROVE		ECN NO.		DATE	



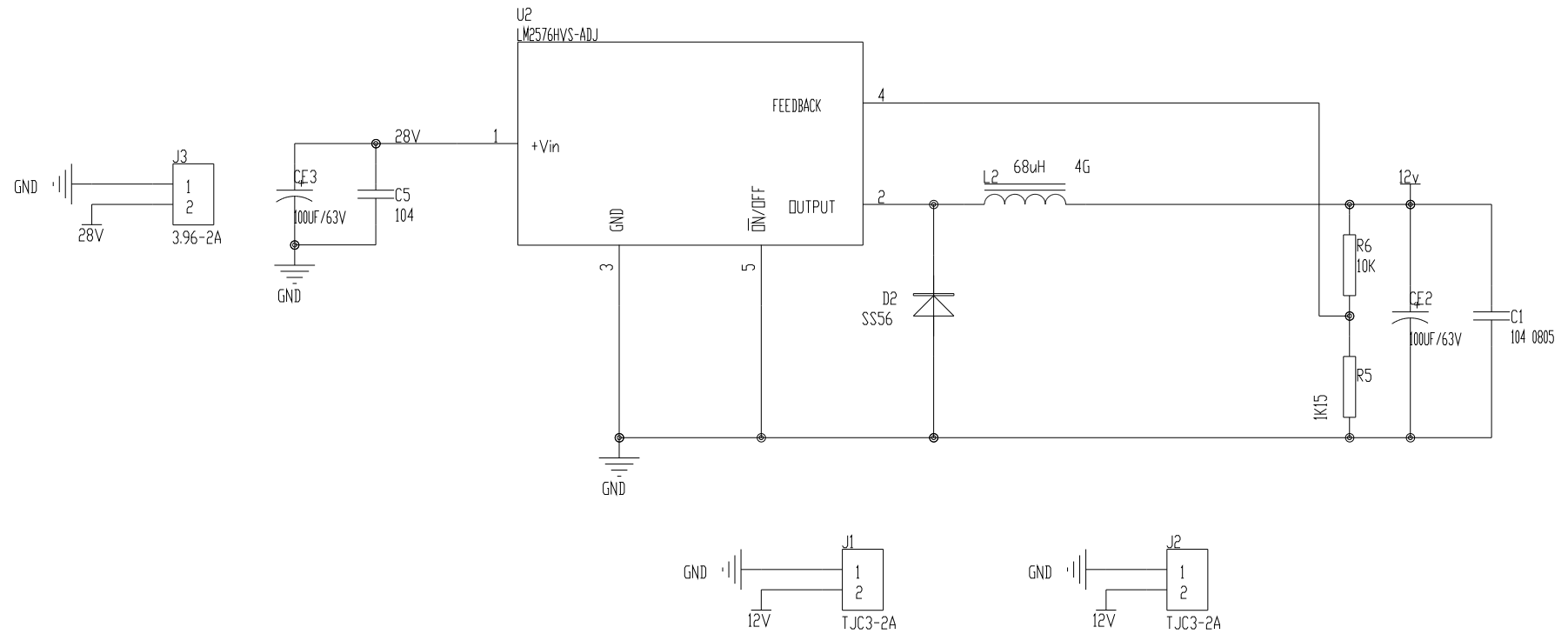
PRODUCT		LEVEL Q7			
PIC. NO.		11-0082-03-00-00			
EDIT		FILE NO.	HY-EXP-1096A	PAGE NO.	4/8
CHECK		VERSION	NR	DATE	2012.12.07
APPROVE		ECN NO.		DATE	



PRODUCT		LEVEL Q7			
PIC. NO.		LEVEL Q7 ELECTRIC			
EDIT		FILE NO.	HY-WIJL-G160	PAGE NO.	5/8
CHECK		VERSION	NR	DATE	2012.12.10
APPROVE		ECN NO.		DATE	



PRODUCT		LEVEL Q7			
PIC. NO.		LJB0188-0-A SCHEME			
EDIT		FILE NO.	HY-EIEC-1111	PAGE NO.	7/8
CHECK		VERSION	NR	DATE	2012.12.07
APPROVE		ECN NO.		DATE	



PRODUCT		LEVEL Q7			
PIC. NO.		PCB0902-0-B SCHEME			
EDIT		FILE NO.	HY-EIEC-1113	PAGE NO.	8/8
CHECK		VERSION	NR	DATE	2012.12.07
APPROVE		ECN NO.		DATE	